



VRLA Battery **SPB 12-55**

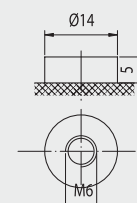
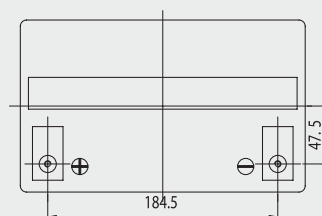
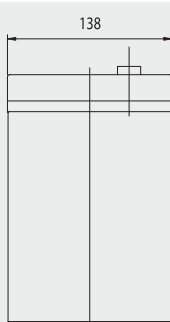
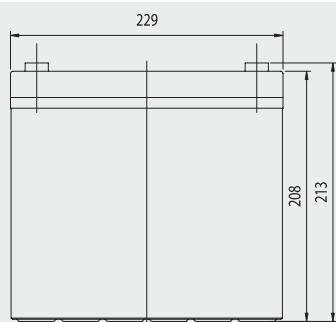
Specifications

Nominal Voltage 12 V

Rated Capacity (25 °C)	20hr Rate (1,80V/cell)	10hr Rate (1,80V/cell)	5hr Rate (1,70V/cell)	1hr Rate (1,60V/cell)		
	62 Ah	55 Ah	50,5 Ah	38,1 Ah		
Dimensions (mm) & Weight (kg)	Length	Width	Height	Overall Height	Weight	
	229mm	138mm	208mm	213mm	19,50 kg	
Number / Type of Terminals	2 / M6					

Technical Characteristics

Design Life at 20°C	10-12 years	
Eurobat Classification	High Performance	
Internal Resistance (Fully charged - 25°C)	6 mΩ	
Short-circuit current	1400 A	
Max Charging Current	16,5 A	
Min safe end Discharge Voltage	1,60 V/cell	
Self discharge per month at 20°C	3%	
Recommended Charging Voltage at 20°C	Stand-by use (V/cell): 2,25 to 2,30	Cycle use (V/cell): 2,40 to 2,50
Container Material	ABS-UL94 HB	
Electrolyte Type	Sulfuric Acid	
Type of plates / Alloy	Flat plates / Lead-Calcium-Tin alloy	
Type of Separator	Absorbant Glass Mat	
Valve Type / Operational Pressure	Rubber / 1-3 psi (70-200 mbar)	
Operating Temperature Range	-20 to + 50@C	
Storage time at 20°C	9 months	



SUNLIGHT SYSTEMS S.A.
Headquarters
 23rd km. N.R. Athens-Lamia
 145 65 Ag. Stefanos, Attica, Greece
 Tel.: +30 210 6242000
 Fax: +30 210 6216911

Manufacturing Plant
 Neo Olvio
 67 200 Xanthi, Greece
 Tel.: +30 25410 48100
 Fax: +30 25410 95446

 **SUNLIGHT**
 creating energy
www.sunlight.gr