



VRLA Battery **SPA 12-9**

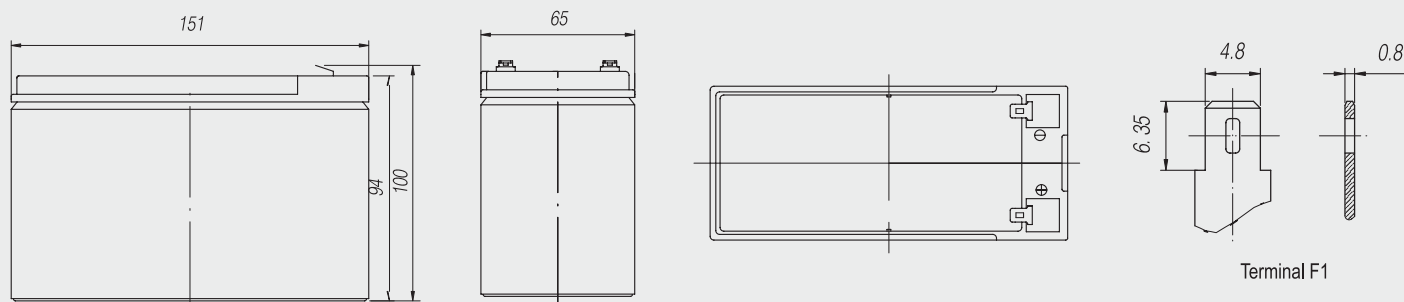
Specifications

Nominal Voltage 12 V

| Rated Capacity (25 °C) | 20hr Rate (1,80V/cell) | 10hr Rate (1,80V/cell) | 5hr Rate (1,70V/cell) | 1hr Rate (1,60V/cell) | | |
|-----------------------------------|------------------------|------------------------|-----------------------|-----------------------|--------|--|
| | 9 Ah | 8,2 Ah | 7,75 Ah | 5,80 Ah | | |
| Dimensions (mm) | Length | Width | Height | Overall Height | Weight | |
| & Weight (kg) | 151mm | 65mm | 94mm | 100mm | 2,8kg | |
| Number / Type of Terminals | 2 / F1 | | | | | |

Technical Characteristics

| | |
|---|---|
| Design Life at 20°C | 5 years |
| Eurobat Classification | Standard Commercial |
| Internal Resistance (Fully charged - 25°C) | 18 mΩ |
| Short-circuit current | 450 A |
| Max Charging Current | 3,6 A |
| Min safe end Discharge Voltage | 1,60 V/cell |
| Self discharge per month at 20°C | 3% |
| Recommended Charging Voltage at 20°C | Stand-by use (V/cell): 2,25 to 2,30 Cycle use (V/cell): 2,40 to 2,50 |
| Container Material | ABS-UL94 HB |
| Electrolyte Type | Sulfuric Acid |
| Type of plates / Alloy | Flat plates / Lead-Calcium-Tin alloy |
| Type of Separator | Absorbant Glass Mat |
| Valve Type / Operational Pressure | Rubber / 1-3 psi (70-200 mbar) |
| Operating Temperature Range | -20 to +50°C |
| Storage time at 20°C | 9 months |



SUNLIGHT SYSTEMS S.A.
Headquarters
 23rd km. N.R. Athens-Lamia
 145 65 Ag. Stefanos, Attica, Greece
 Tel.: +30 210 6242000
 Fax : +30 210 6216911

Manufacturing Plant
 Neo Olvio
 67 200 Xanthi, Greece
 Tel.: +30 25410 48100
 Fax : +30 25410 95446

 **SUNLIGHT**
 creating energy
www.sunlight.gr